

UNITED STATES DEPARTMENT OF THE INTERIOR  
NATIONAL PARK SERVICE

FILE COPY

NATIONAL REGISTER OF HISTORIC PLACES  
INVENTORY -- NOMINATION FORM

FOR NPS USE ONLY	
RECEIVED	
DATE ENTERED	

SEE INSTRUCTIONS IN HOW TO COMPLETE NATIONAL REGISTER FORMS  
TYPE ALL ENTRIES -- COMPLETE APPLICABLE SECTIONS

**1** NAME

HISTORIC 1b.  
AND/OR COMMON FISH CREEK COVERED BRIDGE

**2** LOCATION

STREET & NUMBER  
Secondary Route 13 near junction of U.S. Route 250 crossing Fish Creek  
CITY, TOWN \_\_\_\_\_ NOT FOR PUBLICATION  
CONGRESSIONAL DISTRICT \_\_\_\_\_  
 VICINITY OF Hundred 1  
STATE West Virginia CODE 54 COUNTY Wetzel CODE 103

**3** CLASSIFICATION

CATEGORY	OWNERSHIP	STATUS	PRESENT USE	
<input type="checkbox"/> DISTRICT	<input checked="" type="checkbox"/> PUBLIC	<input checked="" type="checkbox"/> OCCUPIED in service	<input type="checkbox"/> AGRICULTURE	<input type="checkbox"/> MUSEUM
<input type="checkbox"/> BUILDING(S)	<input type="checkbox"/> PRIVATE	<input type="checkbox"/> UNOCCUPIED	<input type="checkbox"/> COMMERCIAL	<input type="checkbox"/> PARK
<input checked="" type="checkbox"/> STRUCTURE	<input type="checkbox"/> BOTH	<input type="checkbox"/> WORK IN PROGRESS	<input type="checkbox"/> EDUCATIONAL	<input type="checkbox"/> PRIVATE RESIDENC
<input type="checkbox"/> SITE	<input type="checkbox"/> PUBLIC ACQUISITION	<input type="checkbox"/> ACCESSIBLE	<input type="checkbox"/> ENTERTAINMENT	<input type="checkbox"/> RELIGIOUS
<input type="checkbox"/> OBJECT	<input type="checkbox"/> IN PROCESS	<input type="checkbox"/> YES: RESTRICTED	<input type="checkbox"/> GOVERNMENT	<input type="checkbox"/> SCIENTIFIC
	<input type="checkbox"/> BEING CONSIDERED	<input checked="" type="checkbox"/> YES: UNRESTRICTED	<input type="checkbox"/> INDUSTRIAL	<input checked="" type="checkbox"/> TRANSPORTATION
		<input type="checkbox"/> NO	<input type="checkbox"/> MILITARY	<input type="checkbox"/> OTHER:

**4** OWNER OF PROPERTY

NAME West Virginia Department of Highways  
STREET & NUMBER 1900 Washington Street, East  
CITY, TOWN Charleston STATE West Virginia  
VICINITY OF \_\_\_\_\_ 25305

**5** LOCATION OF LEGAL DESCRIPTION

COURTHOUSE, REGISTRY OF DEEDS, ETC. Wetzel County Court House  
STREET & NUMBER \_\_\_\_\_  
CITY, TOWN New Martinsville STATE West Virginia

**6** REPRESENTATION IN EXISTING SURVEYS

TITLE None  
DATE \_\_\_\_\_  
DEPOSITORY FOR SURVEY RECORDS \_\_\_\_\_  
CITY, TOWN \_\_\_\_\_ STATE \_\_\_\_\_

DESCRIPTION

CONDITION  
\_\_EXCELLENT  
\_\_GOOD  
 FAIR  
\_\_DETERIORATED  
\_\_RUINS  
\_\_UNEXPOSED

CHECK ONE  
\_\_UNALTERED  
 ALTERED

CHECK ONE  
 ORIGINAL SITE  
\_\_MOVED DATE \_\_\_\_\_

PERIOD  
\_\_PREHISTO  
\_\_1400-1  
\_\_1500-1  
\_\_1

DESCRIBE THE PRESENT AND ORIGINAL (IF KNOWN) PHYSICAL APPEARANCE

The Fish Creek Covered Bridge is 12 feet-10 inches wide and 36 feet in length. Wooden siding painted barn red and a galvanized metal roof cover the superstructure. The kingpost truss has two-8inch square diagonals extending from the notched ends of the 9 x 9½ inch bottom chord to the mortise and tenon joint at the 9 x 11 inch centerpost. Knee braces at the centerpost and at either endpost help to stiffen the frame. Metal tension straps bolted to the sides of the center post support the 8 x 9½ inch transverse floor beam which supports the floor stringers at midspan.

Modern reinforcement consists of six 8 x 12 inch wide flange stringers that support the deck, which originally rested on wooden stringers.

# SIGNIFICANCE

PERIOD	AREAS OF SIGNIFICANCE -- CHECK AND JUSTIFY BELOW				
<input type="checkbox"/> PREHISTORIC	<input type="checkbox"/> ARCHEOLOGY-PREHISTORIC	<input type="checkbox"/> COMMUNITY PLANNING	<input type="checkbox"/> LANDSCAPE ARCHITECTURE	<input type="checkbox"/> RELIGION	
<input type="checkbox"/> 1400-1499	<input type="checkbox"/> ARCHEOLOGY-HISTORIC	<input type="checkbox"/> CONSERVATION	<input type="checkbox"/> LAW	<input type="checkbox"/> SCIENCE	
<input type="checkbox"/> 1500-1599	<input type="checkbox"/> AGRICULTURE	<input type="checkbox"/> ECONOMICS	<input type="checkbox"/> LITERATURE	<input type="checkbox"/> SCULPTURE	
<input type="checkbox"/> 1600-1699	<input type="checkbox"/> ARCHITECTURE	<input type="checkbox"/> EDUCATION	<input type="checkbox"/> MILITARY	<input type="checkbox"/> SOCIAL/HUMANITARIAN	
<input type="checkbox"/> 1700-1799	<input type="checkbox"/> ART	<input checked="" type="checkbox"/> ENGINEERING	<input type="checkbox"/> MUSIC	<input type="checkbox"/> THEATER	
<input checked="" type="checkbox"/> 1800-1899	<input type="checkbox"/> COMMERCE	<input type="checkbox"/> EXPLORATION/SETTLEMENT	<input type="checkbox"/> PHILOSOPHY	<input checked="" type="checkbox"/> TRANSPORTATION	
<input type="checkbox"/> 1900-	<input type="checkbox"/> COMMUNICATIONS	<input type="checkbox"/> INDUSTRY	<input type="checkbox"/> POLITICS/GOVERNMENT	<input type="checkbox"/> OTHER (SPECIFY)	
		<input type="checkbox"/> INVENTION			

SPECIFIC DATES      c 1881      BUILDER/ARCHITECT      Unknown

## STATEMENT OF SIGNIFICANCE

On July 27, 1881 a committee was appointed by the Wetzel County Court for letting out a contract for a bridge to be built across Fish Creek "near the mouth of Rush". This information, obtained from Wetzel County Court Records describes the location of the present covered bridge, which crosses Fish Creek near the mouth of Rush Run near Hundred, West Virginia. The most likely date for completion of construction was probably in 1881 (as a postcard (2) of the bridge indicates) or within a few years following. A thorough search of the court records failed to yield any further information concerning the construction of the bridge.

The Fish Creek Covered Bridge is the only remaining covered bridge in Wetzel County, which had a number of bridges in the past. Along with the Dents Run covered bridge, the Fish Creek bridge is one of the two remaining bridges in West Virginia having the single kingpost truss design.

**9 MAJOR BIBLIOGRAPHICAL REFERENCES**

1. Order Book #1, Wetzel County Court.
2. Postcard Depicting the Fish Creek bridge, Hundred, West Virginia
3. Allen, Richard Sanders, Covered Bridges of the Middle Atlantic States.  
Brattleboro, Vermont: The Stephen Green Press, 1959, p. 86.

**10 GEOGRAPHICAL DATA**

ACREAGE OF NOMINATED PROPERTY Not applicable

QUADRANGLE NAME Hundred

QUADRANGLE SCALE 1:24000

UTM REFERENCES

A	1, 7	5 4, 6 9, 7, 0	4, 3 9, 1 3, 2, 4	B			
	ZONE	EASTING	NORTHING		ZONE	EASTING	NORTHING
C				D			
E				F			
G				H			

VERBAL BOUNDARY DESCRIPTION

LIST ALL STATES AND COUNTIES FOR PROPERTIES OVERLAPPING STATE OR COUNTY BOUNDARIES

STATE	CODE	COUNTY	CODE
STATE	CODE	COUNTY	CODE

**11 FORM PREPARED BY**

NAME / TITLE

E.L. Kemp, Professor History of Science & Technology and of Civil Engineering

ORGANIZATION

DATE

West Virginia University

STREET & NUMBER

TELEPHONE

614 Woodburn Hall, Town Campus

(304) 293-3867

CITY OR TOWN

West Virginia 26056

Morgantown

**12 STATE HISTORIC PRESERVATION OFFICER CERTIFICATION**

THE EVALUATED SIGNIFICANCE OF THIS PROPERTY WITHIN THE STATE IS:

NATIONAL      STATE      LOCAL     

As the designated State Historic Preservation Officer for the National Historic Preservation Act of 1966 (Public Law 89-665), I hereby nominate this property for inclusion in the National Register and certify that it has been evaluated according to the criteria and procedures set forth by the National Park Service.

STATE HISTORIC PRESERVATION OFFICER SIGNATURE

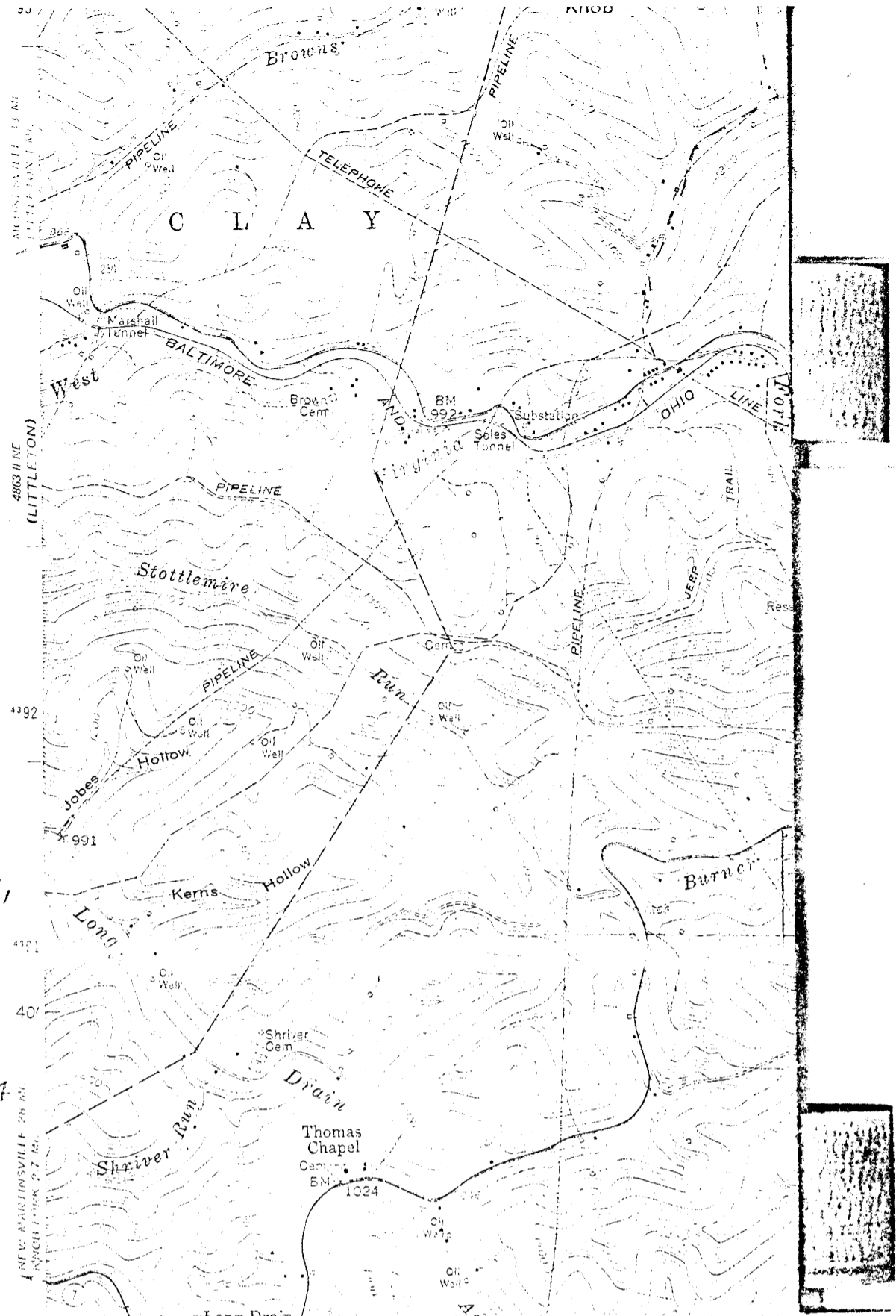
TITLE

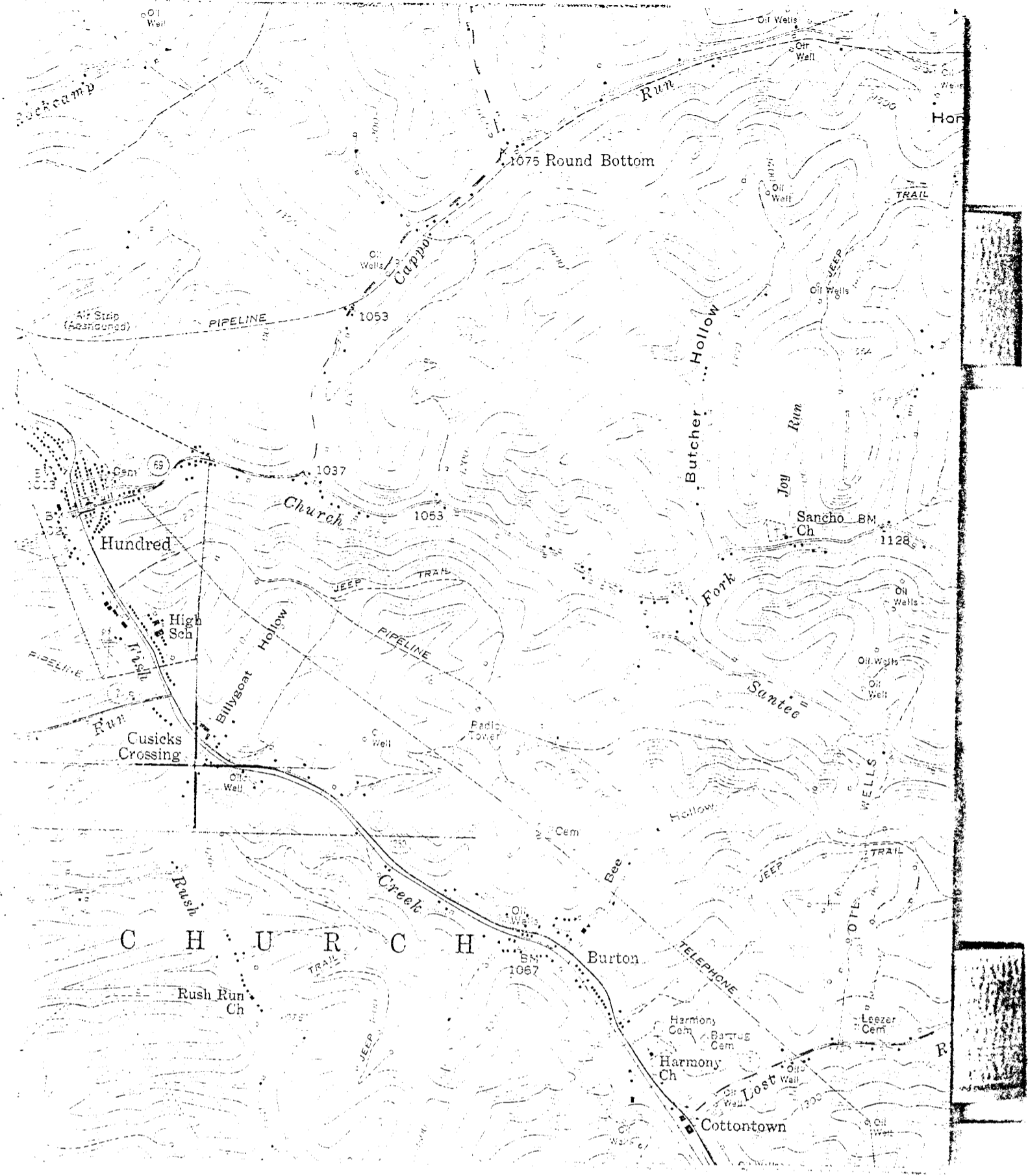
DATE

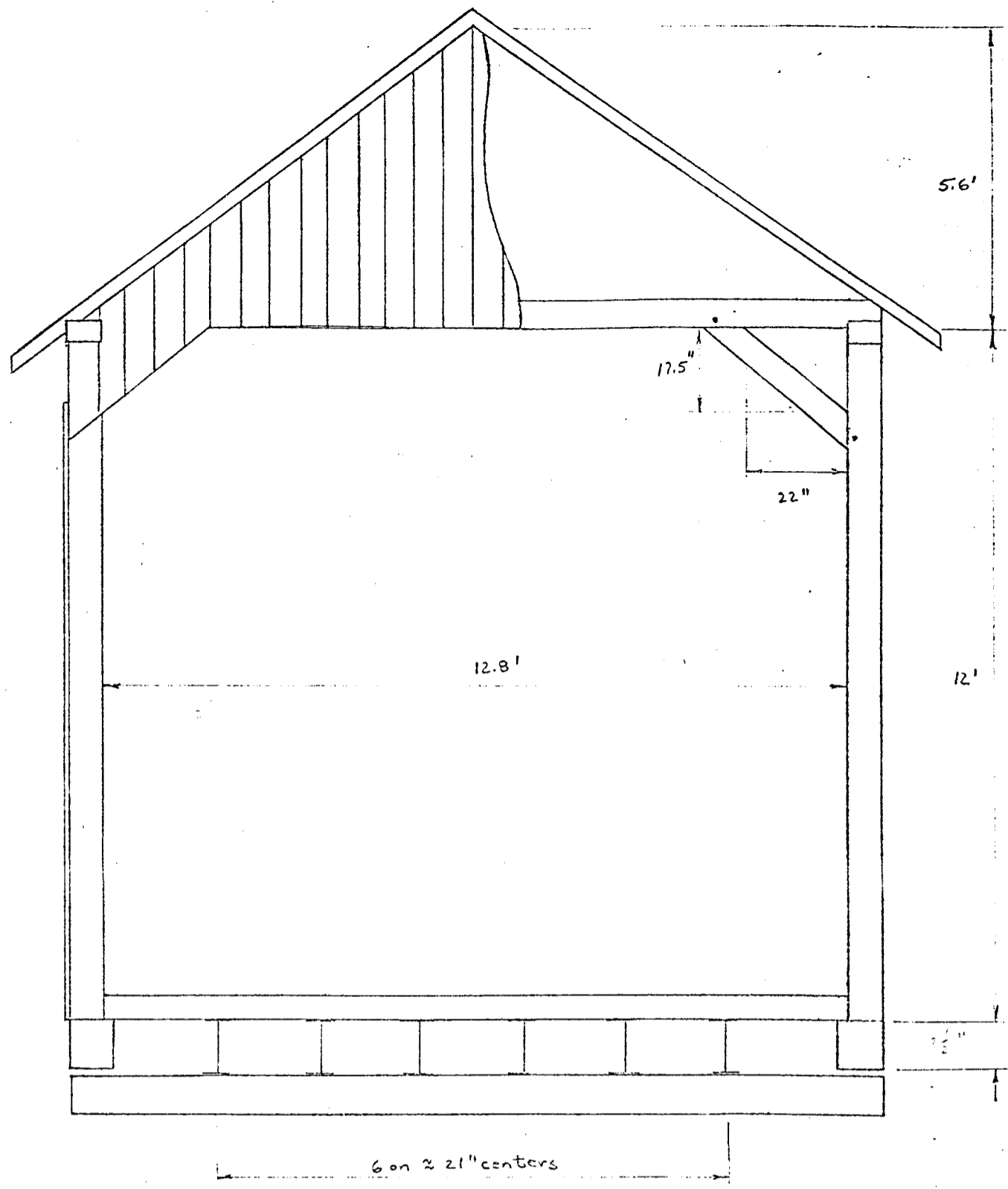
FOR NPS USE ONLY	
I HEREBY CERTIFY THAT THIS PROPERTY IS INCLUDED IN THE NATIONAL REGISTER	
	DATE
ATTEST: KEEPER OF THE NATIONAL REGISTER	DATE
CHIEF OF REGISTRATION	

16.  
FISH CREEK COVERED  
BRIDGE  
HUNDRED VICINITY,  
WETZEL COUNTY  
WEST VIRGINIA

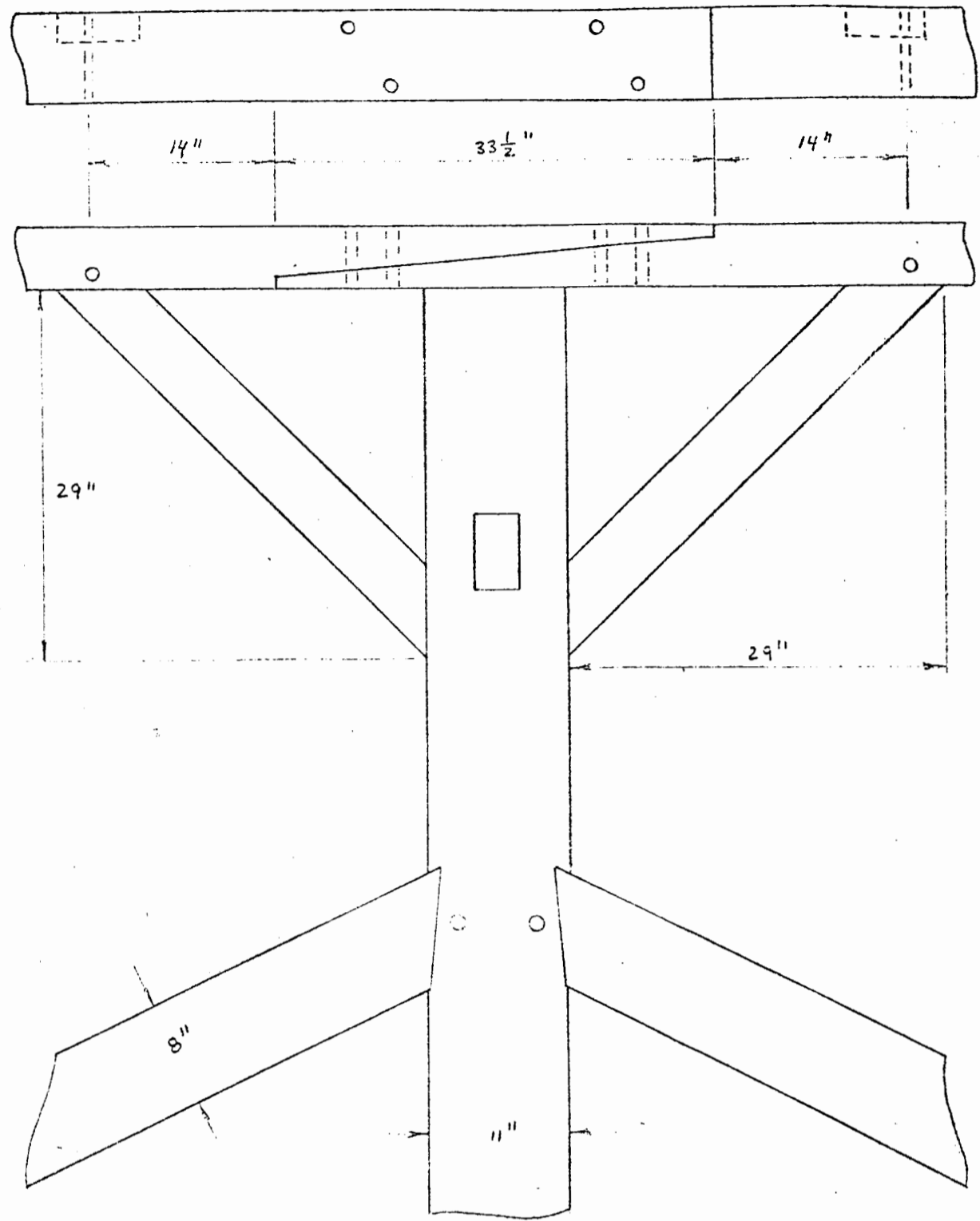
UTM  
17/545900/4241314





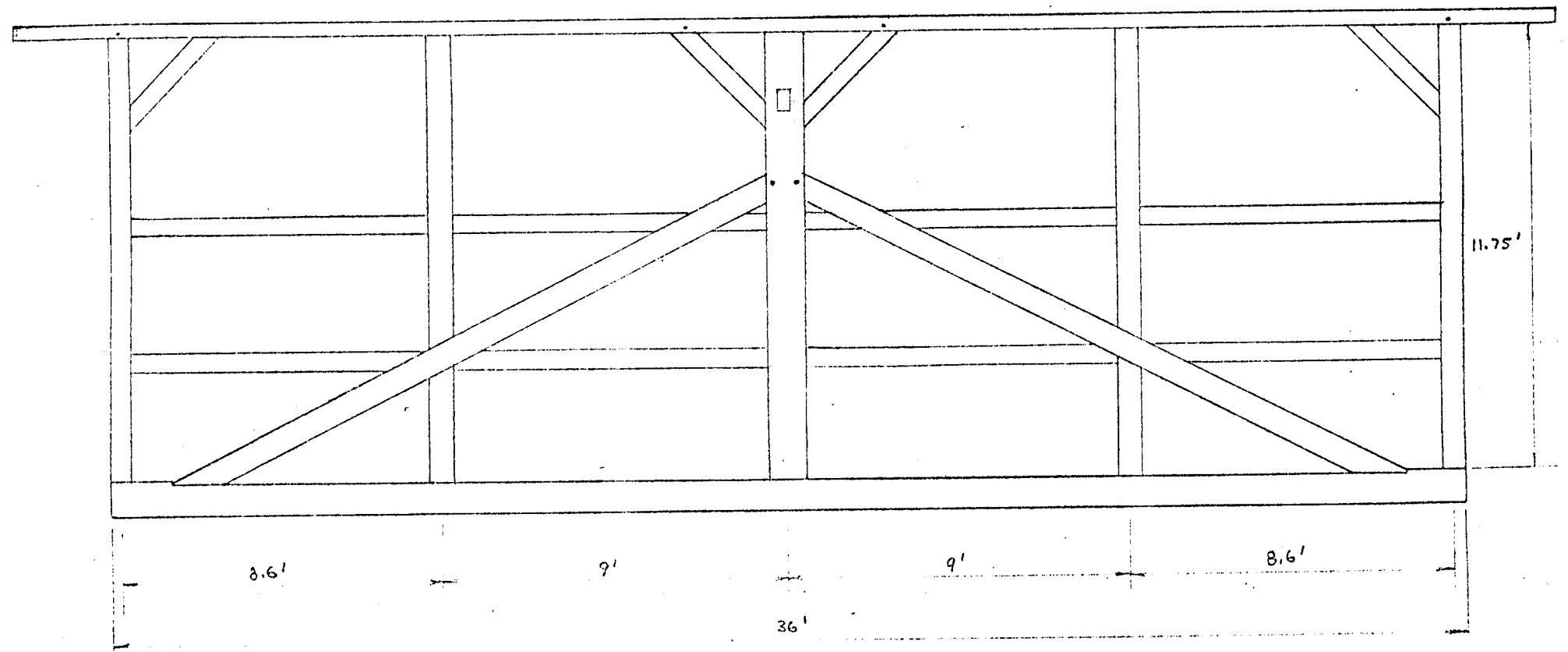


19. FISH CREEK COVERED BRIDGE



19. FISH CREEK COVERED BRIDGE





19. FISH CREEK COVERED BRIDGE